

GO 4 STAGE

2025

ABOUT Go4Stage

Go4Stage is a brand specialized in innovative lifting solutions for the entertainment industry. With cutting-edge technology and strict safety standards, we offer a complete range of equipment for events, ensuring efficiency, reliability, and intelligent control systems.

Our products meet the highest European standards, incorporating advanced design and state-of-the-art safety technology. Featuring intelligent control systems and high-precision components such as encoders and ultra-fast brakes, we guarantee flawless performance for any production.

Quality is our priority on every stage of the process – from material selection to final inspection – is carefully monitored to ensure that all products meet market demands. With international certifications and global recognition, Go4Stage is the ideal choice for large-scale events.

We will be present at major trade shows and events, including the most prestigious festivals and productions across Europe. By combining innovation, safety, and compact design, we deliver the best performance in entertainment lifting solutions.

Go4Stage – Taking your show to the next level!



Mechanical Features

- Friction clutch for overload protection
- 1m cable with 4-pin CEE connector
- Precision chain guide with 5-pocket sprocket wheel
- Rubber stops for micro switch activation
- 360° rotating hook
- Upright and climbing operation

Go4Stage

250KG-2000KG ELECTRIC CHAIN HOIST

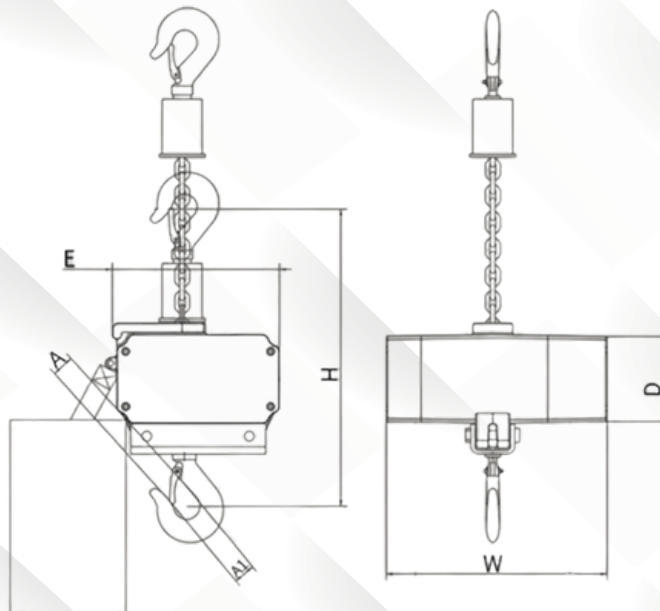
General Description

The Go4Stage hoist ensures maximum safety, featuring two DC brakes that activate instantly in case of power failure. It includes a friction clutch for drive protection and a micro switch system for precise travel limit control.

Built with high-strength steel load chain (EN818-7), it operates at 380V, 3-phase, 50Hz, with other voltage options available.

Specification

Capacity	Motor Power	Speed	Chain Size	Protection	Noise Level
250kg	0.35kw	4m/min 8m/min	4*12mm	IP66	50 dB(A)/ 1 m distance
500kg	0.45kw	4m/min 8m/min	5*15mm	IP66	50 dB(A)/ 1 m distance
1000kg	0.75kw	4m/min 8m/min	7.1*21.3mm	IP66	50 dB(A)/ 1 m distance
2000kg	2.0kw	4m/min 8m/min	10*30mm	IP66	50 dB(A)/ 1 m distance



Model	W ₂	H	E	D	A	A1	No chain weight	Chain weight
250kg	290mm	345mm	186mm	109mm	28mm	28mm	14 kg	0.36kg/m
500kg	341mm	350mm	226mm	121mm	25mm	30mm	20 kg	0.54kg/m
1000kg	406mm	380mm	247mm	135mm	35mm	26mm	34 kg	1.05kg/m
2000kg	461mm	589mm	338mm	169mm	37mm	46mm	50 kg	2.1kg/m

Go4Stage

Referências

CHAIN HOISTS

G4-HT-0250-20	Electric Chain Hoist, Lifting Capacity:250 KG , Lifting Height:20 M
G4-HT-0250-25	Electric Chain Hoist, Lifting Capacity:250 KG , Lifting Height:25 M
G4-HT-0500-20	Electric Chain Hoist, Lifting Capacity:500 KG , Lifting Height:20 M
G4-HT-0500-25	Electric Chain Hoist, Lifting Capacity:500 KG , Lifting Height:25 M
G4-HT-1000-20	Electric Chain Hoist, Lifting Capacity:1000 KG , Lifting Height:20 M
G4-HT-1000-25	Electric Chain Hoist, Lifting Capacity:1000 KG , Lifting Height:25 M
G4-HT-2000-20	Electric Chain Hoist, Lifting Capacity:2000 KG , Lifting Height:20 M
G4-HT-2000-25	Electric Chain Hoist, Lifting Capacity:2000 KG , Lifting Height:25 M

CHAIN HOISTS CASES

G4-FC-1-0250	Flight case with wheels for 2 pcs G4-HT-0250
G4-FC-1-0500	Flight case with wheels for 1 pcs G4-HT-0500
G4-FC-1-1000	Flight case with wheels for 1 pcs G4-HT-1000
G4-FC-1-2000	Flight case with wheels for 1 pcs G4-HT-2000

Enterprise Qualification Certificate

CERTIFICATE
of Conformity

Registration No.: AK 50643748 0001
Report No.: 02230112 001
Holder: HEBEI DING YOU HOISTING MACHINERY MANUFACTURING CO., LTD
 Donglv Village, Donglv Township, Qingyuan District, Baoding, Hebei, P.R. China
Product: Chain Hoist
(Electric Chain Hoist)

Type designation listed on the next page
 The certificate of conformity refers to the above-mentioned product. This is to certify that the specimen is in conformity with the assessment requirement mentioned on the next page. This certificate does not imply assessment of the production of the product and does not permit the use of a TÜV Rheinland mark of conformity.

Certification Body

 Xiao Ling

Date: 2024-08-16



TÜV Rheinland LGA Products GmbH - Tillystraße 2 - 90431 Nürnberg

www.tuv.com




Page 1 of 2

CERTIFICATE
of Conformity


Registration No.: AK 50643748 0001
Product: Chain Hoist
(Electric Chain Hoist)

Tested according to: SQP2:2018

Identification:
 Type Designation Dv+S
 Serial No.: 00248481/01
 Application Type: DR Plus
 Remark: 1. Refer to test report 02230112 001 for details.
 2. The machinery is considered incomplete and must not be put into service until final installation has been checked in compliance with SQP2:2018.

Certification Body

 Xiao Ling

Date: 2024-08-16



TÜV Rheinland LGA Products GmbH - Tillystraße 2 - 90431 Nürnberg

www.tuv.com



Page 2 of 2

CERTIFICATE
of Conformity
EC Co uncil Directive 2006/42/EC Machinery

Registration No.: AM 50641421 0001
Report No.: 02230112 001
Holder: HEBEI DING YOU HOISTING MACHINERY MANUFACTURING CO., LTD
 Donglv Village, Donglv Township, Qingyuan District, Baoding, Hebei, P.R. China
Product: Chain Hoist
(Electric Chain Hoist)

Type designation listed on the next page
 This certificate of conformity is based on an evaluation of a sample of the above mentioned product. This is to certify that the tested sample is in conformity with all provision of Annex I of Council Directive 2006/42/EC, referred to as the Machinery Directive. This certificate does not imply assessment of the production of the product and does not permit the use of a TÜV Rheinland mark of conformity. The holder of the certificate is authorized to use this certificate in connection with the EC declaration of conformity according to Annex II of the Directive.

Certification Body

 Xiao Ling

Date: 2024-08-12



TÜV Rheinland LGA Products GmbH - Tillystraße 2 - 90431 Nürnberg
 The CE marking may be used if all relevant and effective EC Directives/Regulations are complied with.

www.tuv.com



Page 1 of 2

CERTIFICATE
of Conformity
EC Council Directive 2006/42/EC Machinery

Registration No.: AM 50641421 0001
Product: Chain Hoist
(Electric Chain Hoist)

Identification:
 Type Designation Dv+S
 Serial No.: 00348481/01
 Remark: 1. Refer to test report 02230112 001 for details.
 2. The machinery is considered incomplete and must not be put into service until final installation has been checked in compliance with 2006/42/EC.

Certification Body

 Xiao Ling

Date: 2024-08-12



TÜV Rheinland LGA Products GmbH - Tillystraße 2 - 90431 Nürnberg
 The CE marking may be used if all relevant and effective EC Directives/Regulations are complied with.

www.tuv.com



Page 2 of 2